



Westfield Sportscars Starter Kit Price List

The Westfield Starter Kits Explained



Thank you very much for enquiring about Westfield Sportscars and welcome to the start of your Westfield experience.

To order please telephone **01384 400077**, fax **01384 288781** or e-mail **info@westfield-sportscars.co.uk**
 Westfield Sportscars Ltd, Unit 1, Gibbons Industrial Park, Dudley Road, Kingswinford, West Midlands. DY6 8XF. Copyright Westfield Sportscars Ltd 2004.

For over 22 years, Westfield Sportscars have been building cars that combine technology, design and passion...

Westfield Sports Cars offer models to suit everyone's needs and budget – so whether you're wanting a sunny weekend driving experience, a track day experience or an out and out race car, buying a Westfield will help you gain the ultimate in driving pleasure.

About Westfield Sportscars

Westfield Sportscars, established in 1982, has produced many thousands of cars and kits. We lay claim to the title of "Europe's biggest component car manufacturer". Though an enviable title, Westfield does not intend to rest on our laurels. We are constantly improving our cars, developing many options and additions with which to further the desirability of the Westfield brand.



How to buy a Westfield

There are five ways to buy a Westfield

1. Starter Kit (multi donor vehicle)
2. Starter Kit (single donor vehicle)
3. Module Kit
4. Factory Built
5. Previously Owned

1. Starter Traditional Kit (multi donor vehicle)

Westfield supply a chassis/body kit as outlined in the following pages (SE/SEi/SEiGHT/Mega). You then build your car using components from various sources and different cars.

Common places of component purchases include the Westfield parts department, auto jumbles, shows, motor factors or other suppliers.

2. Starter Traditional Kit (single donor vehicle)

This is very much the same as 1 except you also purchase a 2.0 Single Over Head Cam (SOHC) Ford Sierra and use some of its components, and also utilise the Sierras registration number. The components you need to use off the Sierra donor vehicle are:

- Engine and gearbox (complete)
- Front uprights and discs callipers and hubs (requires modification by Westfield Sports Cars)
- Differential and drive shafts
- Rear brakes
- Handbrake lever
- Steering column
- Wheels and tyres (optional)
- Battery
- V5 document

3. Module Kit

Westfield has put together a complete kit package to the same specification as a complete factory built car. This is offered to you in 6 individual modules. You can either buy the modules all in one go at a discounted rate or buy modules as you build. All components purchased come with a 12-month warranty. Please see separate price list brochure for information

4. Factory Built

Westfield has produced factory built cars for many years for customers who do not have the time or inclination to build their own. Specifications vary on each Westfield outlined in the colour brochure. Please see our separate price list brochure for information.

5. Previously Owned

Westfield sell quality used cars, all with factory backed warranties. Please view our website on www.westfield-sportscars.co.uk for further information.



Westfield Sportscars Starter Kit Price List The Westfield Starter Kits Explained



**Thank you very much for enquiring about Westfield Sportscars
and welcome to the start of your Westfield experience.**

To order please telephone **01384 400077**, fax **01384 288781** or e-mail **info@westfield-sportscars.co.uk**
Westfield Sportscars Ltd, Unit 1, Gibbons Industrial Park, Dudley Road, Kingswinford, West Midlands. DY6 8XF. Copyright Westfield Sportscars Ltd 2004.

Westfield rear suspension setup explained.

- The Westfield SE is based on a "live" rear axle system, which uses the Ford Mark 2 rear axle located with trailing arms and panard rod.
- The Westfield SEi is based on an independent rear suspension system which uses the Ford Sierra "B" type differential or Landrover Freelander differential with Westfield drive shafts and wishbones.
- Westfield SDV (single donor vehicle) as the SEi but using the complete rear end of the Ford Sierra.

Engine options

You can use the following engines to build your Westfield starter kit

- Xflow / OHV - 1700
- Pinto / OHC - 2.0
- Vauxhall 16V - 2.0
- Zetec - 1.8 & 2.0
- Rover V8 - 3.5 & 3.9 (SEi Only)
- Ford Duratec I4 - 2.0 (SEi Only)
- Honda Blackbird - 1100 (SEi Only)
- Honda Fireblade - 900 (SEi Only)
- Suzuki Hayabusa - 1300 (SEi Only)

Ten top reasons to buy a Westfield Starter Kit

1. All prices quoted from Westfield Sportscars INCLUDE VAT, so no nasty surprise when you come to pay.
2. All components purchased from Westfield Sportscars and fitted to a Westfield come with a 12 month warranty from date of registration.
3. Our in house design team is the envy of the industry.
4. Quality assurance testing internally at Westfield Sports Cars is to the standard of Low Volume Type Approval (certificate number LC/300/A/001).



5. The Westfield chassis has successfully passed a European impact test.
6. While building your Westfield you will receive free full technical assistance from our world-renowned Technical support team.
7. Over 7000 Westfield Kits sold worldwide.
8. Only a £200.00 deposit is needed to secure your Westfield Starter Kit, you then pay the balance upon collection.
9. All bodywork comes self-coloured with a choice of twenty different colours.
10. You can purchase the components from Westfield Sportscars either individually or all in one go.

So you want to visit Westfield's world famous factory?

Westfield Sportscars is proud to announce its factory open day dates.....

Monday to Friday 10am-4pm

Saturday 9am-1pm

Every week

All year round.

- Westfield is proud to show off their factory every hour of every working day.
- Westfield doesn't need to make a special effort to clean up before visitors arrive.
- Westfield doesn't need to hide any embarrassing mess or scrap from the customers.
- Westfield doesn't need to bring in customers cars to make the company look bigger than it is or to show various options.
- Westfield is proud to take the time out and talk through all the options available to you during your Westfield experience.
- Come and see where the Westfield chassis are fabricated, where the interior is made, where all the Westfield's unique development is undertaken and where Westfield's are built.
- Ask questions regarding Westfield.
- Call or e-mail Westfield today to arrange an appointment.





Westfield Sportscars Starter Kit Price List SE Starter Kit

Standard
Starter Kit
£1,999
including VAT

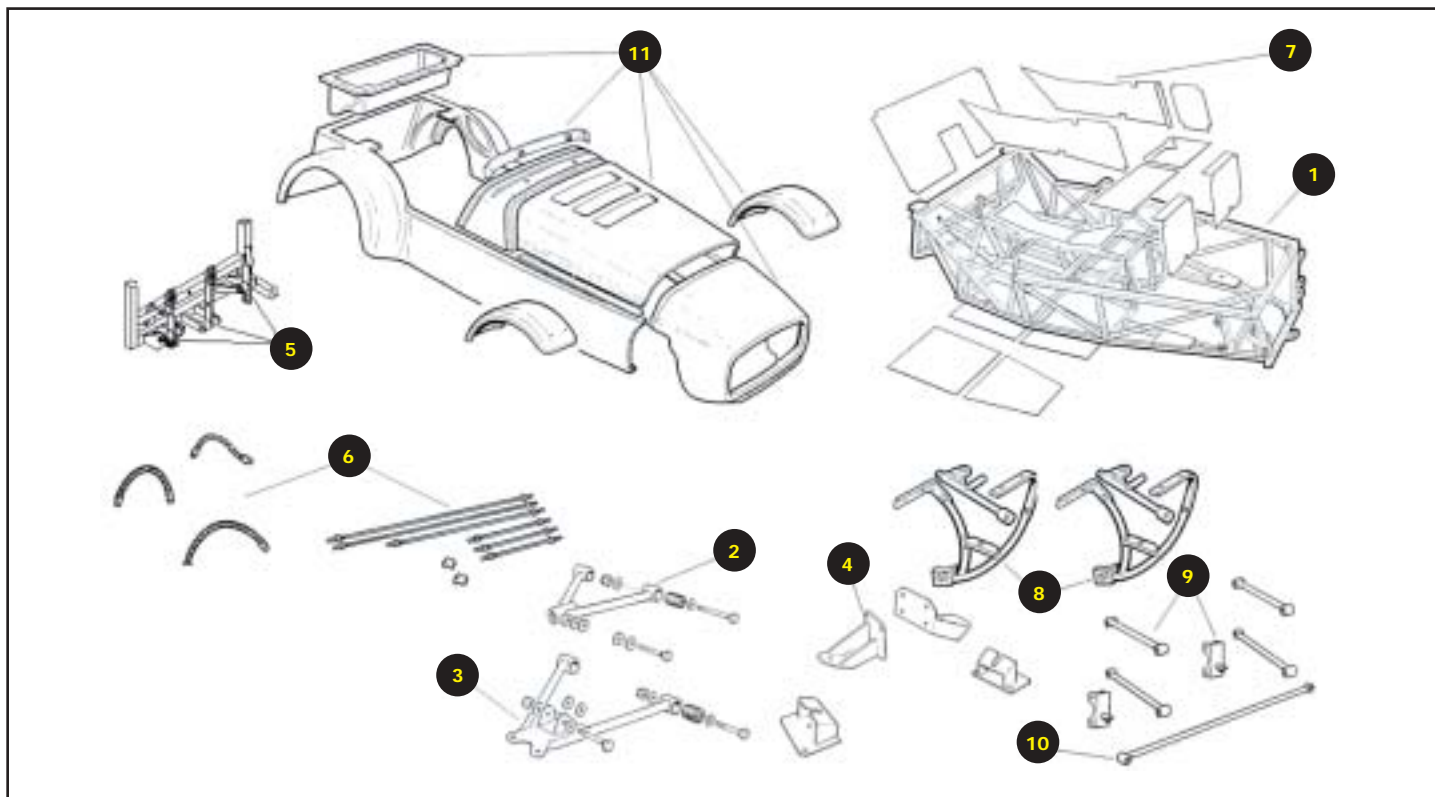
Engine Options

- Xflow / OHV - 1700
- Pinto / OHC - 2.0

- Vauxhall 16V - 2.0
- Zetec - 1.8 & 2.0

Transmission Options

- Type 9 Sierra
- Ford MT 75



Items included in the STANDARD STARTER kit

- 1 SPACE FRAME CHASSIS
SPARE WHEEL CARRIER
- 2 TOP FRONT WISHBONES
- 3 BOTTOM FRONT WISHBONES
- 4 ENGINE MOUNTING BRACKETS
- 5 PEDAL BOX INC. MASTER CYLINDER / FLOOR
MOUNTED
- 6 BRAKELINES, AEROQUIP & TEE PIECE
NUTS, BOLTS, RIVETS & SUSPENSION BUSHES
- 7 ALUMINIUM PANEL SET INC. FLOORPLAN, SEAT-
BACK, TUNNEL & SCUTTLE
CHASSIS PLATE
- 8 WING BRACKETS
- 9 TRAILING ARMS & AXLE BRACKETS
- 10 PANARD ROD
- 11 BODY KIT- REAR BODY SECTION, SCUTTLE,
BONNET, NOSE, SCREEN FILLET, WINGS, BOOT BOX
& BADGES

Please note: On purchasing the SEW starter kit you will need to provide an Escort MK2 rear axle for modification. This item should be stripped of all internals, i.e. half shafts and differential removed.

Available Additional ITEMS and SERVICES

Extra Cost

DUCTED NOSE (UPGRADE)	£176.25
DETACHABLE ARCHES (UPGRADE)	£176.25
LOCKING BOOT LID	£295.00
REAR VALANCE	£117.50
AERO SCREEN & PERSPEX	£200.00
CHASSIS STANDS (6102004)	£50.53
CHROME FINISH ON FRONT SUSPENSION & POWDER COATING ON REAR WISHBONES (0618020)	£125.00
SHOT BLAST & POWDER COATING OF CHASSIS (0618004)	£199.00
POWDER COATING OF SUSPENSION PARTS IN STARTER KIT (0618012)	£55.00
FIT AND SEALING OF ALUMINIUM PANELS (0677127)	£270.00
FIT SUSPENSION BUSHES TO WISHBONES IN STARTER KIT (0677098)	£45.00
FIT BRAKE LINES TO CHASSIS (0677004)	£85.00
FIT 1 FUEL LINE TO CHASSIS (0677039)	£15.00
FIT 2 FUEL LINES TO CHASSIS (0677047)	£30.00
FIT SPRINGS TO SHOCK ABSORBERS (0677119)	£25.00
FIT WESTFIELD WIRING LOOM (0677112)	£84.60
FIT RIVNUTS TO CHASSIS (0677020)	£40.00
EXTERIOR PANELS SEW (1420000)	£39.95

Standard Starter Kit
£2,650

including VAT

Westfield Sportscars Starter Kit Price List
SEi Starter Kit



Engine Options

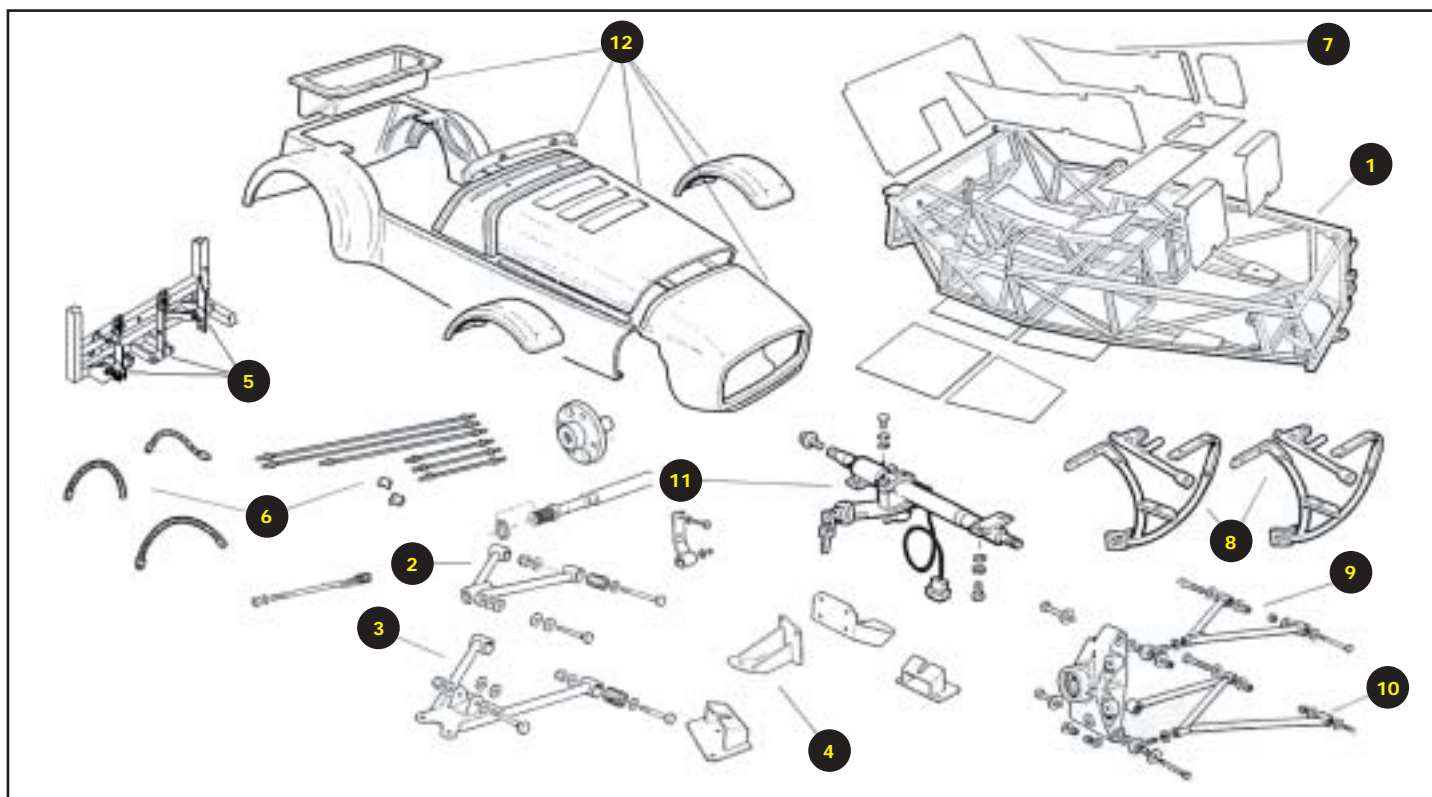
- Xflow / OHV - 1700
- Pinto / OHC - 2.0
- Vauxhall 16V - 2.0

■ Zetec - 1.8 & 2.0

■ Ford Duratec I4 - 2.0

Transmission Options

- Type 9 Sierra
- Ford MT 75
- 5 Speed Mitchell Cotts (Duratec only)



Items included in the STANDARD STARTER kit

- 1 SPACE FRAME CHASSIS
SPARE WHEEL CARRIER
- 2 TOP FRONT WISHBONES
- 3 BOTTOM FRONT WISHBONES
- 4 ENGINE MOUNTING BRACKETS
- 5 PEDAL BOX INC. MASTER CYLINDER/FLOOR MOUNTED
- 6 BRAKELINES, AEROQUIP & TEE PIECE
- 7 ALUMINIUM PANEL SET
INC. FLOORPLAN, SEAT-BACK, TUNNEL & SCUTTLE
NUTS, BOLTS, RIVETS & SUSPENSION BUSHES
& CHASSIS PLATE
- 8 WING BRACKETS
REAR DISC BRAKE UPRIGHTS
WESTFIELD BAR SHAFT WITH CIRCLIPS
HUBS WITH STUDS
HANDBRAKE CABLE
- 9 BOTTOM REAR WISHBONES
- 10 TOP REAR WISHBONES
- 11 TOP STEERING COLUMN AND LOCK
4 x SPHERICAL JOINTS
- 12 BODY KIT- REAR BODY SECTION, SCUTTLE, BONNET
NOSE, SCREEN FILLET, WINGS, BOOT BOX, BADGES

Available Additional ITEMS and SERVICES

Extra Cost

DUCTED NOSE (UPGRADE)	£176.25
DETACHABLE ARCHES (UPGRADE)	£176.25
LOCKING BOOT LID	£295.00
REAR VALANCE	£117.50
AERO SCREEN & PERSPEX	£200.00
CHASSIS STANDS (6102004)	£50.53
CHROME FINISH ON FRONT SUSPENSION & POWDER COATING ON REAR WISHBONES (0618020)	£125.00
SHOT BLAST & POWDER COATING OF CHASSIS (0618004)	£199.00
POWDER COATING OF SUSPENSION PARTS IN STARTER KIT (0618012)	£55.00
FIT AND SEALING OF ALUMINIUM PANELS (0677127)	£270.00
FIT SUSPENSION BUSHES TO WISHBONES IN STARTER KIT (0677098)	£45.00
FIT BRAKE LINES TO CHASSIS (0677004)	£85.00
FIT 1 FUEL LINE TO CHASSIS (0677039)	£15.00
FIT 2 FUEL LINES TO CHASSIS (0677047)	£30.00
FIT SPRINGS TO SHOCK ABSORBERS (0677119)	£25.00
FIT WESTFIELD WIRING LOOM (0677112)	£84.60
FIT RIVNUTS TO CHASSIS (0677020)	£40.00
EXTERIOR PANELS SEiW (1420000)	£39.95

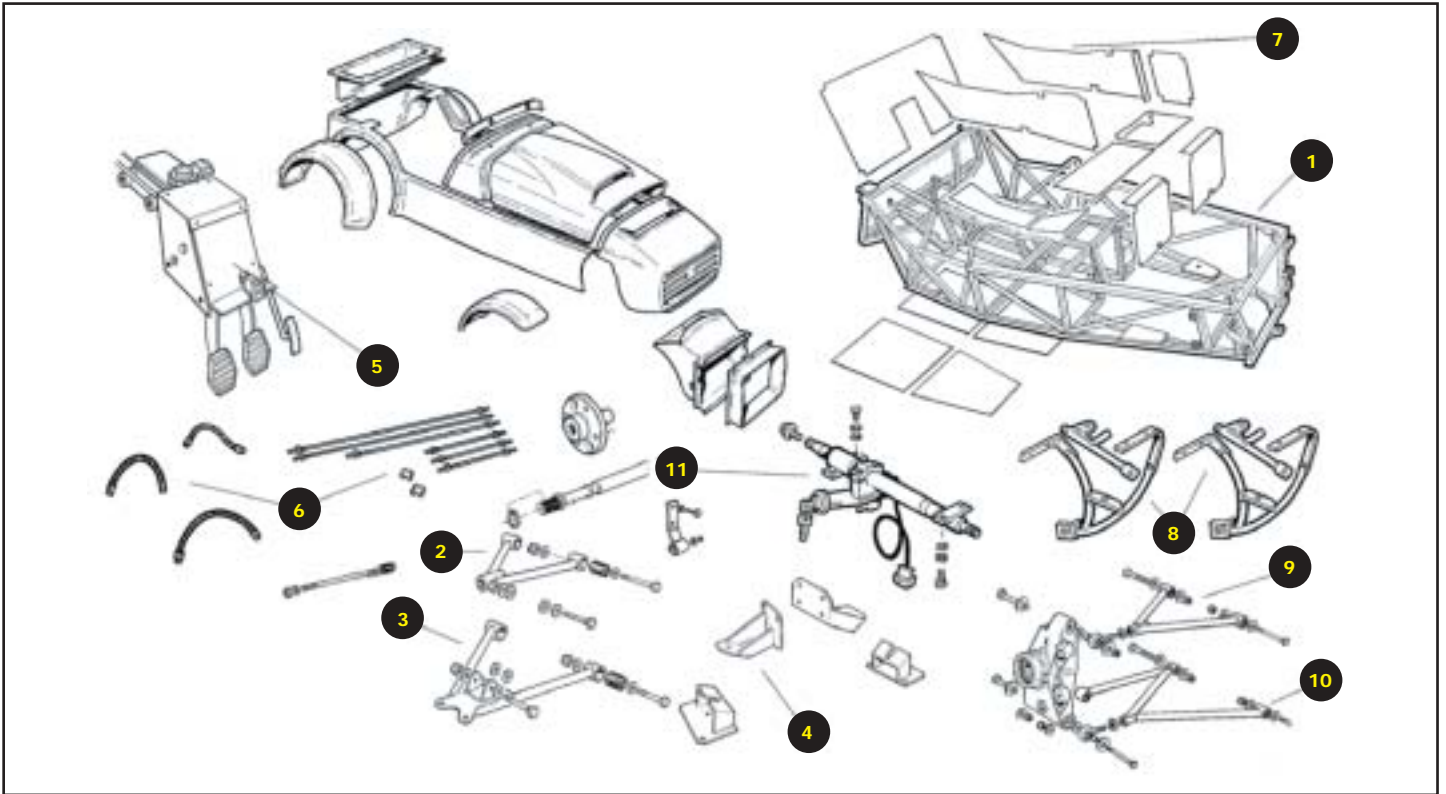


Engine Options

■ Rover V8 - 3.5 & 3.9 (SEi)

Transmission Options

SD1
T5
R380



*Items included in the
STANDARD STARTER kit*

- 1 SPACE FRAME CHASSIS
SPARE WHEEL CARRIER
- 2 TOP FRONT WISHBONES
- 3 BOTTOM FRONT WISHBONES
- 4 ENGINE MOUNTING BRACKETS
- 5 PEDAL BOX INC. MASTER CYLINDER / TOP MOUNTED
- 6 BRAKELINES, AEROQUIP & TEE PIECE
- 7 ALUMINIUM PANEL SET
INC. FLOORPLAN, SEAT-BACK, TUNNEL & SCUTTLE
NUTS, BOLTS, RIVETS, SUSPENSION BUSHES &
CHASSIS PLATE
- 8 WING BRACKETS
REAR DISC BRAKE UPRIGHTS
WESTFIELD BAR SHAFT WITH CIRCLIPS
HUBS WITH STUDS
HANDBRAKE CABLE
- 9 TOP REAR WISHBONES
- 10 LOWER REAR WISHBONES
- 11 TOP STEERING COLUMN COMPLETE WITH LOCK
4 x SPHERICAL JOINTS
BODY KIT- REAR BODY SECTION, SCUTTLE, BONNET,
NOSE, SCREEN FILLET, WINGS, BOOT BOX & BADGES

Please note: The body is supplied with detachable arches and ducted nose.

*Available Additional
ITEMS and SERVICES*

*Extra
Cost*

LOCKING BOOT LID	£295.00
REAR VALANCE	£117.50
AERO SCREEN & PERSPEX	£200.00
CHASSIS STANDS (6102004)	£50.53
CHROME FINISH ON FRONT SUSPENSION & POWDER COATING ON REAR WISHBONES (0618020)	£125.00
SHOT BLAST & POWDER COATING OF CHASSIS (0618004)	£199.00
POWDER COATING OF SUSPENSION PARTS IN STARTER KIT (0618012)	£55.00
FIT AND SEALING OF ALUMINIUM PANELS (0677127)	£270.00
FIT SUSPENSION BUSHES TO WISHBONES IN STARTER KIT (0677098)	£45.00
FIT BRAKE LINES TO CHASSIS (0677004)	£85.00
FIT 1 FUEL LINE TO CHASSIS (0677039)	£15.00
FIT 2 FUEL LINES TO CHASSIS (0677047)	£30.00
FIT SPRINGS TO SHOCK ABSORBERS (0677119)	£25.00
FIT WESTFIELD WIRING LOOM (0677112)	£84.60
FIT RIVNUTS TO CHASSIS (0677020)	£40.00
EXTERIOR PANELS SEiW (1420000)	£39.95

Standard Starter Kit
£2,950

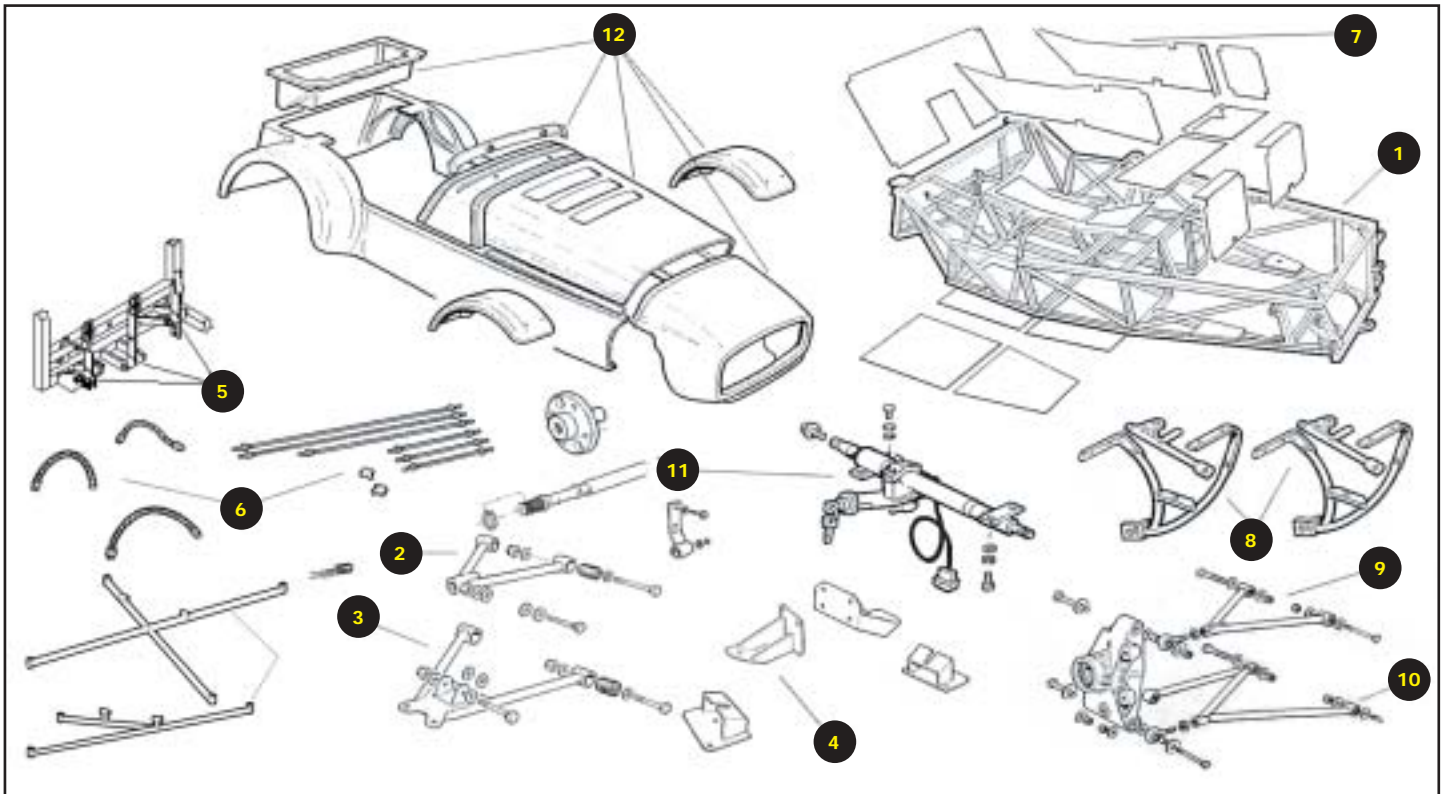
including VAT

Westfield Sportscars Starter Kit Price List
SEi Mega Starter Kit



Engine Options

- Honda Fireblade - 900
- Honda Blackbird - 1100
- Suzuki Hayabusa - 1300



Items included in the STANDARD STARTER kit

- 1 SPACE FRAME CHASSIS
SPARE WHEEL CARRIER
- 2/3 TOP AND BOTTOM FRONT WISHBONES
- 4 ENGINE MOUNTING BRACKETS
- 5 PEDAL BOX INC. MASTER CYLINDER / FLOOR MOUNTED
- 6 BRAKELINES, AEROQUIP & TEE PIECE
- 7 ALUMINIUM PANEL SET
INC. FLOORPLAN, SEAT-BACK, TUNNEL & SCUTTLE
NUTS, BOLTS, RIVETS, SUSPENSION BUSHES &
CHASSIS PLATE
- 8 WING BRACKETS
REAR DISC BRAKE UPRIGHTS
WESTFIELD BAR SHAFT C/W CIRCLIPS
HUBS C/W STUDS
HANDBRAKE CABLE
- 9 BOTTOM REAR WISHBONES
- 10 TOP REAR WISHBONES
- 11 TOP STEERING COLUMN C/W LOCK
4 x SPHERICAL JOINTS
- 12 BODY KIT- REAR BODY SECTION, SCUTTLE, BONNET,
NOSE SCREEN FILLET, WINGS, BOOT BOX, BADGES

Available Additional ITEMS and SERVICES

Extra Cost

DUCTED NOSE (UPGRADE)	£176.25
DETACHABLE ARCHES (UPGRADE)	£176.25
LOCKING BOOT LID	£295.00
REAR VALANCE	£117.50
AERO SCREEN & PERSPEX	£200.00
CHASSIS STANDS (6102004)	£50.53
CHROME FINISH ON FRONT SUSPENSION & POWDER COATING ON REAR WISHBONES (0618020)	£125.00
SHOT BLAST & POWDER COATING OF CHASSIS (0618004)	£199.00
POWDER COATING OF SUSPENSION PARTS IN STARTER KIT (0618012)	£55.00
FIT AND SEALING OF ALUMINIUM PANELS (0677127)	£270.00
FIT SUSPENSION BUSHES TO WISHBONES IN STARTER KIT (0677098)	£45.00
FIT BRAKE LINES TO CHASSIS (0677004)	£85.00
FIT 1 FUEL LINE TO CHASSIS (0677039)	£15.00
FIT 2 FUEL LINES TO CHASSIS (0677047)	£30.00
FIT SPRINGS TO SHOCK ABSORBERS (0677119)	£25.00
FIT WESTFIELD WIRING LOOM (0677112)	£84.60
FIT RIVNUTS TO CHASSIS (0677020)	£40.00
EXTERIOR PANELS SEiW (1420000)	£39.95



Westfield Sportscars Starter Kit Price List Rolling Chassis

**Standard
Chassis Kit
£4,995**

including VAT

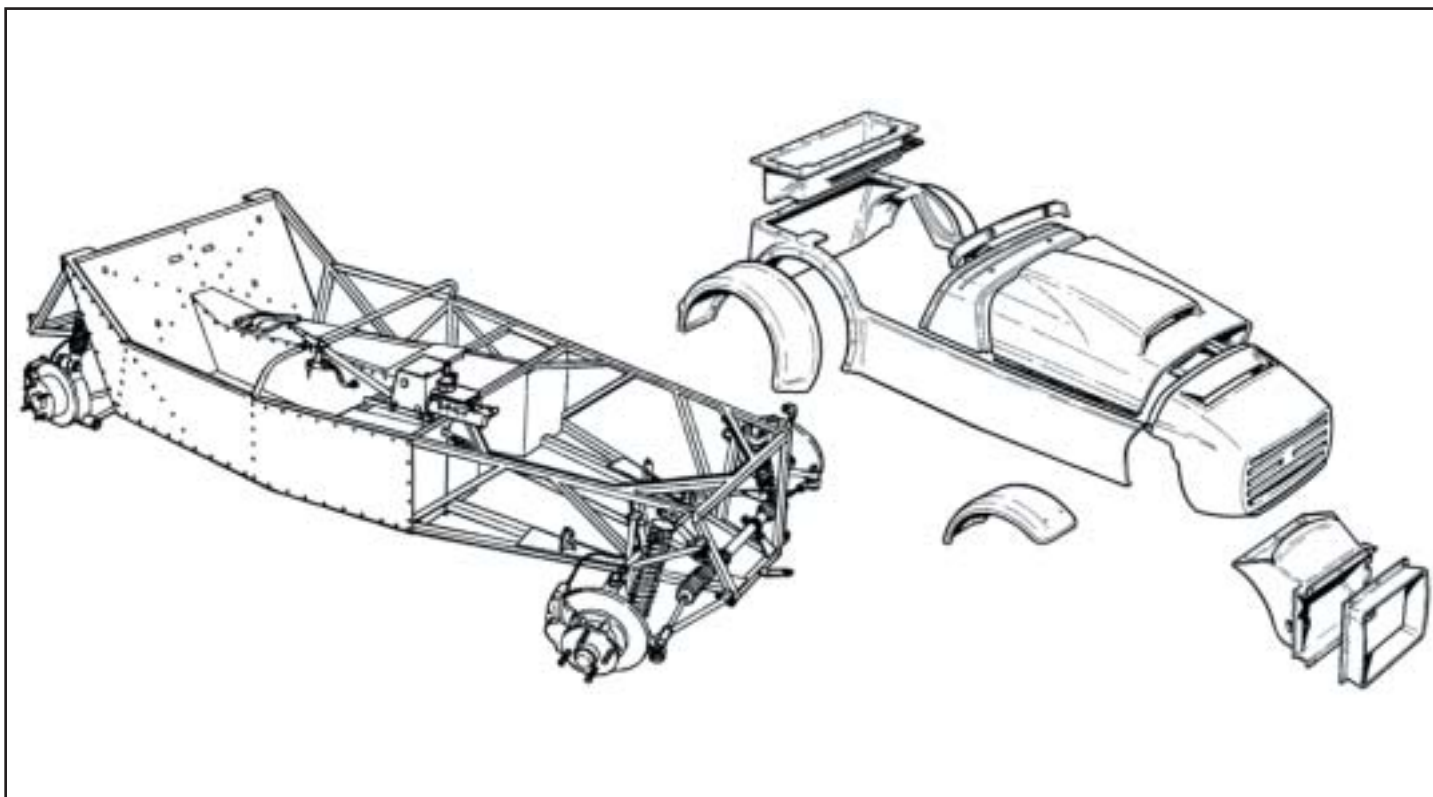
Engine Options

- Xflow / OHV - 1700
- Pinto / OHC - 2.0
- Vauxhall 16V - 2.0
- Zetec - 1.8 & 2.0

- Rover V8 - 3.5 & 3.9
- Ford Duratec I4 - 2.0
- Honda Blackbird - 1100
- Honda Fireblade - 900
- Suzuki Hayabusa - 1300

Transmission Options

Suitable for all standard transmission options.



Items included in the STANDARD STARTER kit

CHASSIS/BODY KIT
POWDER COATED CHASSIS AND SUSPENSION
ALUMINIUM PANELS FITTED
EXTERIOR PANELS FITTED
PEDAL BOX, MASTER CYLINDER AND BRAKE
PIPES FITTED
AEROQUIP FLEXIBLE HOSES FITTED
STEERING RACK FITTED UPPER STEERING
COLUMN & LOCK
LOWER STEERING COLUMN

Front suspension assembled and fitted - including:

UPRIGHTS
HUBS
DISCS
CALIPERS
FRONT WISHBONES,
BALL JOINTS
TRACK ROD ENDS,
SHOCK ABSORBERS
SPRINGS

Rear suspension assembled and fitted – including:

NEW REAR UPRIGHTS & WISHBONES
DISC BRAKE REAR SUPPLIED & FITTED
HANDBRAKE AND CABLES FITTED
BODYWORK IN PLACE, NOT FIXED BUT READY
FOR FITTING

Available Additional ITEMS and SERVICES

Extra Cost

V8 UPGRADE OPTION	£256.25
BIKE ENGINE UPGRADE OPTION	£299.00
LOCKING BOOT LID	£295.00
REAR VALANCE	£117.50
AERO SCREEN & PERSPEX	£200.00
CHASSIS STANDS (6102004)	£50.53
CHROME FINISH ON FRONT SUSPENSION & POWDER COATING ON REAR WISHBONES (0618020)	£125.00

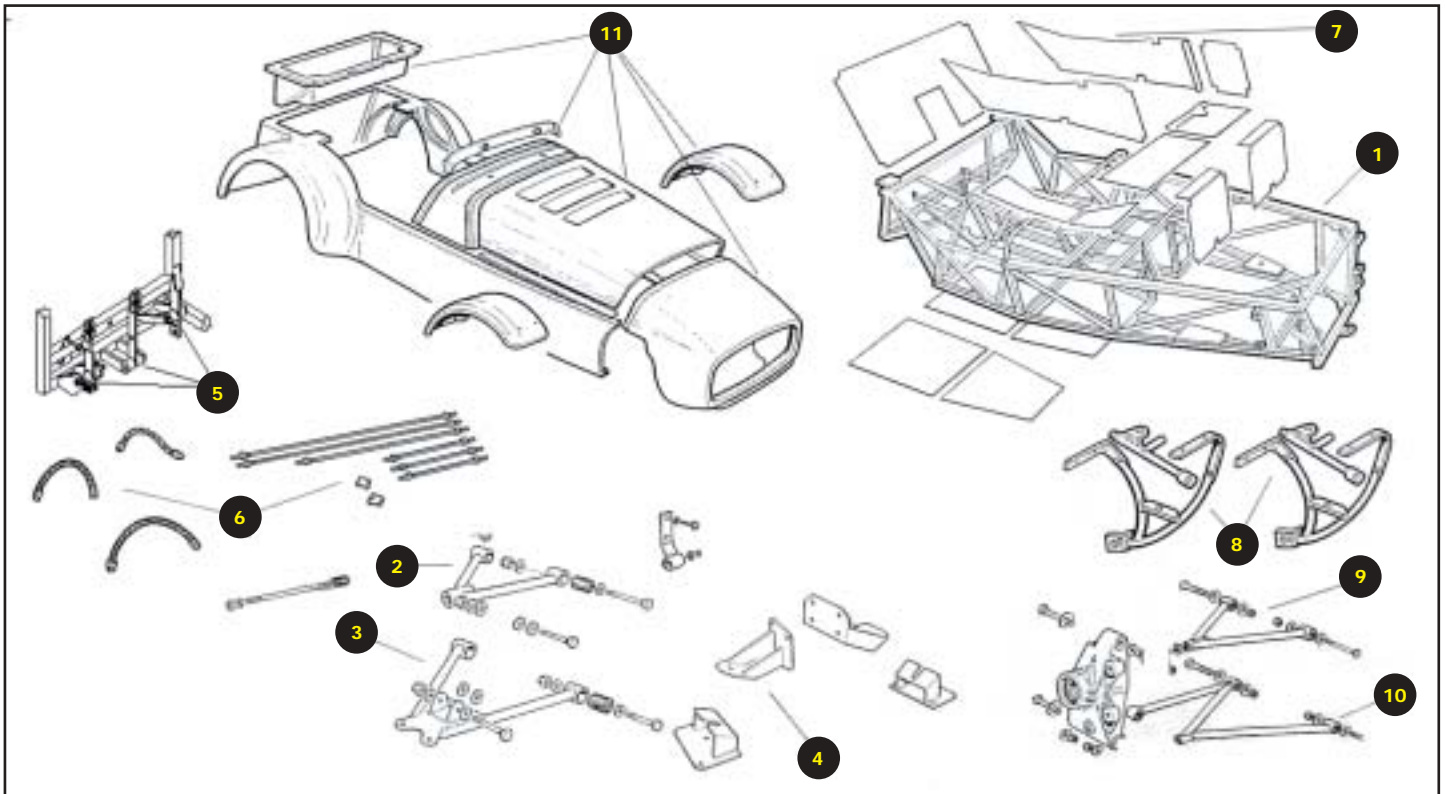
Standard Starter Kit
£2,250

including VAT

Westfield Sportscars Starter Kit Price List
Single Donor Vehicle Starter Kit



Donor Vehicle Required
2.0 Single Overhead
Cam Ford Sierra with
Type 9 gearbox.



Items included in the STANDARD STARTER kit

- 1 SPACE FRAME CHASSIS
SPARE WHEEL CARRIER
- 2/3 TOP AND BOTTOM FRONT WISHBONES
- 4 ENGINE MOUNTING BRACKETS
- 5 PEDAL BOX INC. MASTER CYLINDER / FLOOR MOUNTED
- 6 BRAKELINES, AEROQUIP & TEE PIECE
- 7 ALUMINIUM PANEL SET INC. FLOORPLAN, SEAT-BACK,
TUNNEL, SCUTTLE, NUTS, BOLTS, RIVETS, SUSPENSION
BUSHES & CHASSIS PLATE
- 8 WING BRACKETS
REAR UPRIGHTS
HANDBRAKE CABLE
- 9 BOTTOM REAR WISHBONES
- 10 TOP REAR WISHBONES
- 11 BODY KIT
REAR BODY SECTION
SCUTTLE, BONNET, NOSE, SCREEN FILLET, WINGS,
BOOT BOX, BADGES

Please note: On purchasing a Westfield SDV you will need to provide your front uprights and lower steering column for modification by Westfield.

Available Additional ITEMS and SERVICES

Extra Cost

DUCTED NOSE (UPGRADE)	£176.25
DETACHABLE ARCHES (UPGRADE)	£176.25
LOCKING BOOT LID	£295.00
REAR VALANCE	£117.50
AERO SCREEN & PERSPEX	£200.00
CHASSIS STANDS (6102004)	£50.53
CHROME FINISH ON FRONT SUSPENSION & POWDER COATING ON REAR WISHBONES (0618020)	£125.00
SHOT BLAST & POWDER COATING OF CHASSIS (0618004)	£199.00
POWDER COATING OF SUSPENSION PARTS IN STARTER KIT (0618012)	£55.00
FIT AND SEALING OF ALUMINIUM PANELS (0677127)	£270.00
FIT SUSPENSION BUSHES TO WISHBONES IN STARTER KIT (0677098)	£45.00
FIT BRAKE LINES TO CHASSIS (0677004)	£85.00
FIT 1 FUEL LINE TO CHASSIS (0677039)	£15.00
FIT 2 FUEL LINES TO CHASSIS (0677047)	£30.00
FIT SPRINGS TO SHOCK ABSORBERS (0677119)	£25.00
FIT WESTFIELD WIRING LOOM (0677112)	£84.60
FIT RIVNUTS TO CHASSIS (0677020)	£40.00
EXTERIOR PANELS SEiW (1420000)	£39.95



Westfield Sportscars Starter Kit Price List SDV Completion Package

Full Package
£5,150
including VAT

Donor Vehicle Required

2.0 Single Overhead
Cam Ford Sierra with
Type 9 gearbox.

Items included in the SINGLE DONOR VEHICLE COMPLETION PACKAGE

Please note: Requires additional purchase of **SDV starter kit** and **2.0 OHC Sierra** donor vehicle to complete.

SVA PLASTIC COVER KIT
RACK MOUNTING KIT
HOSE - 8MM BORE FUEL
TRACK ROD END
BALL JOINT SET
FUEL PUMP KIT
SHOCK ABSORBER SET
STEERING RACK
FASTENER KIT
HOSE-STRAIGHT ADAPTOR 5/8"-7/8"
ALUMINIUM RADIATOR
EXPANSION TANK
EXPANSION TANK CAP
FAN SENSOR SWITCH
WINDSCREEN WASHER, PUMP & TANK
SHORT RANGE TANK STRAP
FUEL TANK RETURN ADAPTOR 3/8"
FUEL TANK PLUG 1/4" NPTF
FUEL TANK + SENDER
RADIATOR MOUNTING BRACKET
THERMOSTAT WASHER (FIBRE)
EXPANSION TANK MOUNTING BRACKET
FAN MOUNTING KIT
BATTERY TRAY
COOLING FAN (280mm DIA)
PAIR OF INTERIOR PANELS - (VINYL COVER)
FASTENER KIT
WIPER WHEEL BOX
WINDSCREEN WIPER MOTOR KIT
WIPER RACK & TUBE SET
WASHER TUBING
WIPER SET (BLACK)
WINDSCREEN WASHER JET (BLACK)
WINDSCREEN & MOUNTING PILLARS (BLACK)
REAR NO PLATE MOUNT (FIBREGLASS)
FUEL HOSE (57mm / 2-1/4")
FUEL CAP & INLET ASSEMBLY - UNLEADED
WIRING GROMMETS
HANDBRAKE LEVER SEALING PAD
FOG / REVERSE LAMP LEVELLING BRACKET
HOSE CLAMPS
COVER FOR WINDSCREEN WIPER MOTOR
INDICATOR POD (PLASTIC)
WING MIRRORS - 1 PAIR (BLACK)
NOSE GRILL (EXPANDED METAL)
3 POINT SAFETY BELT
HEATER DUCTING
HEATER ASSEMBLY
ROLL BAR (BLACK)
SILENCER (5 1/2" DIA)
EXHAUST COVER (5 1/2" DIA)
KICK STRIP - 1 PAIR (VINYL)

ADJUSTABLE SPORT SEATS - 1 PAIR- (VINYL)
CARPET SET
DASHBOARD
CRASH PAD COVERED
FASTENER KIT
EXHAUST MANIFOLD
PROPSHAFT
BATTERY LEAD - POSITIVE
BATTERY LEAD - NEGATIVE
BATTERY CLAMP
GEAR KNOB ALUM.WITH LOGO
STEERING WHEEL, HUB KIT & PAD (12" DIA)
INSTRUMENT SET (BLACK DIALS)
SPARE WHEEL CARRIER
WIRING LOOM
BRAKE PIPE CLIPS
TIE RAP CLIPS
FUEL PIPE
CLEVIS PIN
HORN
LIGHT SET INCLUDING:
HEADLAMPS (BLACK), FRONT INDICATORS, REVERSING
LIGHT, SIDE INDICATORS, NUMBER PLATE LIGHT, REAR
LIGHT UNIT & FOG LIGHT
DASHBOARD KIT INCLUDING:
HORN SWITCH, DIP / WIPER SWITCH, INDICATOR SWITCH,
WINDSCREEN WIPER SWITCH, HANDBRAKE WARNING
LIGHT, SIDE / HEADLIGHT SWITCH, FOG LIGHT SWITCH,
WINDSCREEN WASHER SWITCH, FAN HEATER SWITCH,
HEADLAMP WARNING LIGHT (BLUE), INDICATOR WARNING
LIGHT (GREEN) & DASHBOARD WARNING LIGHT (RED)



In your garage!
Build in around 120 hours!
In your blood forever!



Main Donor Components List

Here is a list of the major components that you will require to complete your build. Tick them when you've decided upon your chosen route, then tick them again when you have acquired the item.

The engine & drivetrain items are colour coded so that you can easily see which ones are compatible.

	SEW	SEIW	Choice	Notes
ENGINE				
■ Xflow / OHV - 1700	●	●	<input type="checkbox"/>	
■ Pinto / OHC - 2.0	●	●	<input type="checkbox"/>	
■ Vauxhall 16V - 2.0	●	●	<input type="checkbox"/>	
■ Zetec - 1.8 & 2.0	●	●	<input type="checkbox"/>	
■ Rover V8 - 3.5 & 3.9		●	<input type="checkbox"/>	
■ Ford Duratec I4 - 2.0		●	<input type="checkbox"/>	
■ Honda Blackbird - 1100		●	<input type="checkbox"/>	
■ Honda Fireblade - 900		●	<input type="checkbox"/>	
■ Suzuki Hayabusa - 1300		●	<input type="checkbox"/>	
GEARBOX				
■ ■ 1.6, 2.0 FOUR SPEED CORTINA	●	●	<input type="checkbox"/>	
■ ■ 1.6, 2.0 FORD SIERRA MT75 FORD	●	●	<input type="checkbox"/>	
■ 5 Speed Mitchell Cotts	●	●	<input type="checkbox"/>	
■ SDI 5 SPEED MANUAL		●	<input type="checkbox"/>	
■ ROVER 380		●	<input type="checkbox"/>	
■ ■ ■ ■ ■ 5 SPEED TYPE 9	●	●	<input type="checkbox"/>	
■ ■ ■ WESTFIELD REVERSE GEARBOX		●	<input type="checkbox"/>	
STEERING RACK				
WESTFIELD PART ONLY	●	●	<input type="checkbox"/>	
WESTFIELD STEERING COLUMN		●	<input type="checkbox"/>	
WESTFIELD UNIVERSAL JOINT	●	●	<input type="checkbox"/>	
FRONT SUSPENSION				
UPRIGHTS CORTINA MK3/4/5 (require modification)	●	●	<input type="checkbox"/>	
WESTFIELD UPRIGHTS	●	●	<input type="checkbox"/>	
REAR SUSPENSION				
AXLE MK.2 ESCORT	●		<input type="checkbox"/>	
WESTFIELD SPECIAL FULLY INDEPENDENT REAR		●	<input type="checkbox"/>	
AXLE DIFFERENTIAL SE (LIVE AXLE)				
ESCORT MK.2 REAR MODIFIED BY WESTFIELD SPORTS CARS LTD. (FOC)	●		<input type="checkbox"/>	
SEI (INDEPENDENT REAR SUSPENSION)				
SIERRA `B` TYPE DIFFERENTIAL UNITS & DRIVE SHAFTS 7+7½" CASING		●	<input type="checkbox"/>	
FREELANDER LSD		●	<input type="checkbox"/>	
BRAKES				
FRONT – CORTINA (MK.3/4/5)	●		<input type="checkbox"/>	
REAR – ESCORT MK2		●	<input type="checkbox"/>	
DISC BRAKE REAR - SIERRA REAR CALIPERS AND FRONT ESCORT SOLID DISCS (MK. 3/4/5)	●	●	<input type="checkbox"/>	
WESTFIELD 4 POT FRONT CALIPERS	●	●	<input type="checkbox"/>	
PROPSHAFT				
WESTFIELD SPECIAL	●	●	<input type="checkbox"/>	
WIPER MECHANISM				
MINI/MARINA MOTOR ONLY WITH WESTFIELD WHEEL BOXES COMPLETE KIT AVAILABLE FROM PARTS DEPARTMENT	●	●	<input type="checkbox"/>	



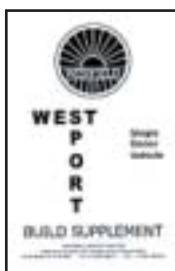
Westfield Sportscars Starter Kit Price List Supplementary Information



Order a build manual for only £17.50 including post and packing,
fully refundable upon purchase of a Westfield Starter Kit.



SE/SEi



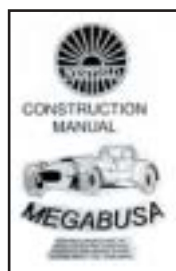
SDV



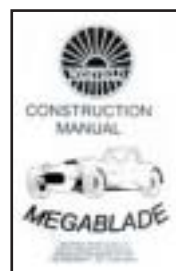
Zetec EFi



Zetec Carbs



Megabusa



Megablade



Megabird

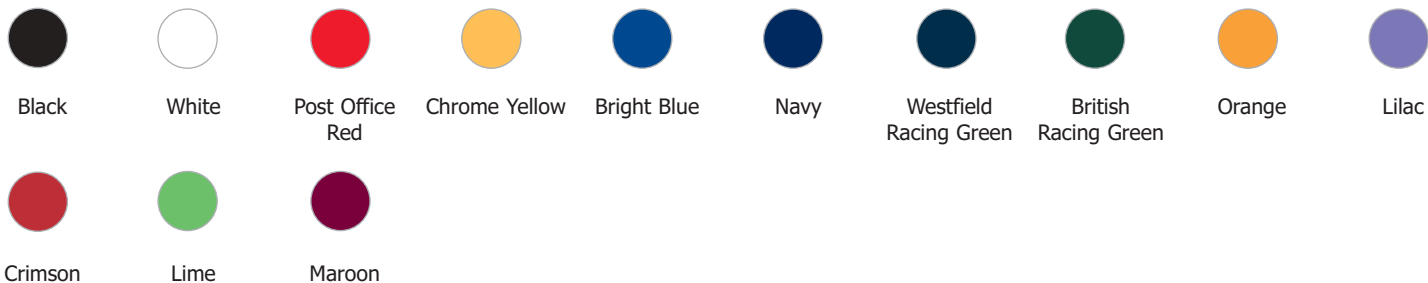
Warranty

New parts and accessories are covered by a twelve-month exchange scheme (labour not included). If you should have any problem with items bought from Westfield Sportscars, please contact us immediately so that we can agree with you the most convenient and fastest way to get matters resolved.

Trim Colour Options



Body Colour Options



Responsible Driving

Westfield cars are high performance cars and we recommend advance driving instruction. Contact us for details of courses that are available.

Any reference in this brochure to High Performance or speed is not encouragement to drive at speeds in excess of legal limits or without due care and consideration for other road users. If you want to find out what you and the car can do then go to a track! Its lots of fun, very easy to access and much safer.

Published by WESTFIELD SPORTS CARS LTD.

First Published 2004 ; Copyright • 2004 ; Westfield Sports Cars Ltd.

All rights reserved. Apart from any fair dealing for the purposes of private study, research, criticism or review, as permitted under the Copyright, Design and Patents Act 1988, no part of this publication may be reproduced, stored in a retrieval system, or transmitted in any form or by means electronic, electrical, chemical, optical, photocopying, recording or otherwise without prior written permission.

All enquiries should be addressed to the publisher.

Westfield Sportscars reserves the right to change prices without prior notice.

Westfield Sportscars is constantly seeking ways to improve specification, design and production of its products and alterations take place continually. While every effort is made to produce up to date literature, this brochure should not be regarded as an infallible guide.



Handbuilt cars and kits delivered direct from the Westfield Factory to your home...

Factory Built Westfields

We provide a full range of our kits ready for the road. Complete in every way, with your choice of trim and accessories.

Every car is meticulously hand built by our fully qualified technicians to the very highest standards.



Every aspect of the build is fully documented and quality checked before your car is delivered. Ensuring that your Westfield is every bit as good as you expect it to be.

The build takes approximately ten weeks and you are welcome to visit our production facility at any time to check on progress and discuss your individual requirements.

Module Kits

Module kits are specially designed to make building your Westfield less demanding. Hours spent on the telephone locating parts can be better used in the garage! The only other things that you will need are time, tools, fuel, oil and Single Vehicle Approval.

We have taken each model and broken it down into six (5 in the case of the SEiGHT) separate stages. These are offered in logical progression allowing you to complete multiple stages of the build using each module kit. This enables you to get the right parts at the right time and ensures that your budget is maximised by not buying parts that you won't require until much later in the build. We sell the following models in complete self-build "module form": 1800Q*, 1800i, Sport 1800, Sport 2000 and SEiGHT.

Module kits are an excellent way to progress if you wish to ensure that your Westfield is eligible for a new registration plate upon completion.

(* Please note that the 1800Q features a reconditioned engine and gearbox and on carburettors hence the "Q" which denotes the registration number that would be issued by the DVLA at registration.)

Megabusa, Megablade and Megabird Complete Kits

These kits are sold in their entirety less engine, gearbox, wheels and tyres. As the power units are obviously motorcycle derived, it allows you to source your own locally with either a motorcycle parts specialist or a breaker.

Naturally, Westfield offer a wide range of wheel and tyre options which are constantly changing. Please contact us for details of our very latest selection.

If you would like more information on our factory built options, module kits, or complete kits, please contact our sales department for a brochure.

